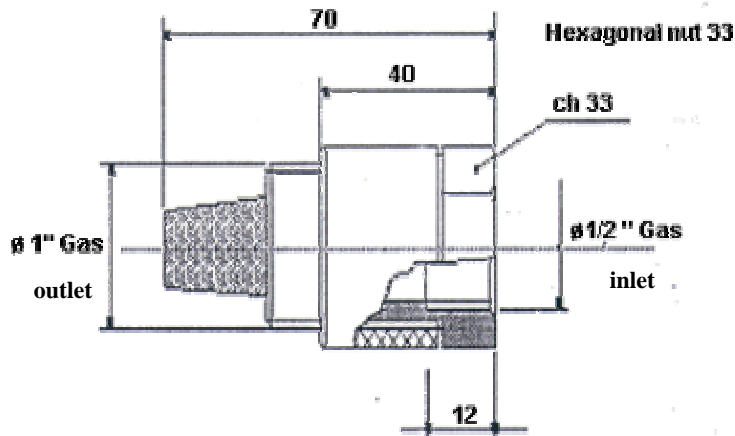
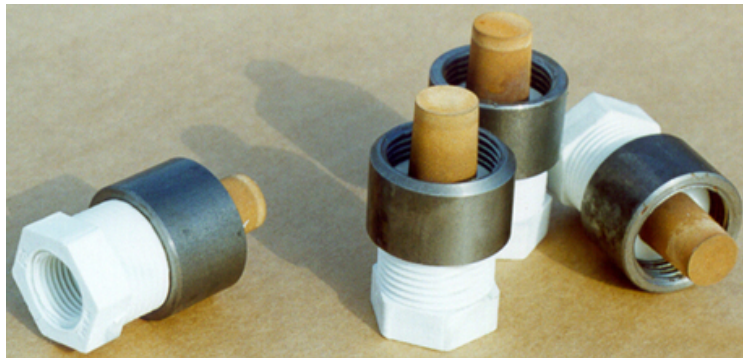


Spécialistes en mécanique de procédés et du contrôle de l'environnement industriel
Mechanical Process and Industrial Environmental Control Specialists

Fluidization Nozzles



*All dimensions are
in millimetres,
except for gas inlet
and outlet, which
are in inches*

Description and working principle

For the fitting to existing silos or bins where the inside of the container cannot be accessed, Fluidization Nozzles become a valid option. Although not equivalent in their performance to OLI®'s Fluidization Pads due to a much smaller air emission surface area, U025 Fluidization Nozzles by OLI® are often the simplest solution and the best value.

Performance and technical features

- Working pressure: 0.5 bar (7.25 psi)
- Air consumption: 0.1 m³/h (0.06 cfm)
- Weight: 150 g
- Package contains 10 pieces

Montréal • Québec • Toronto • Boston

4070 boul. Poirier, St-Laurent, Québec, Canada H4R 2A5
Tél.: (514) 337-3377 • Fax: (514) 832-0989 • www.dynagroup-tech.com