

Spécialistes en mécanique de procédés et du contrôle de l'environnement industriel  
Mechanical Process and Industrial Environmental Control Specialists

## Flat Type Diverter Valve \* Flanged \*



Montréal • Québec • Toronto • Boston

---

4070 boul. Poirier, St-Laurent, Québec, Canada H4R 2A5  
Tél.: (514) 337-3377 • Fax: (514) 832-0989 • [www.dynagroup-tech.com](http://www.dynagroup-tech.com)

## The Flat Type Diverter Valve - Flanged

The Flap Type Diverter Valve consists of a robust body manufactured in two sections, split at a centre flange for ease of access to the internal sealing.

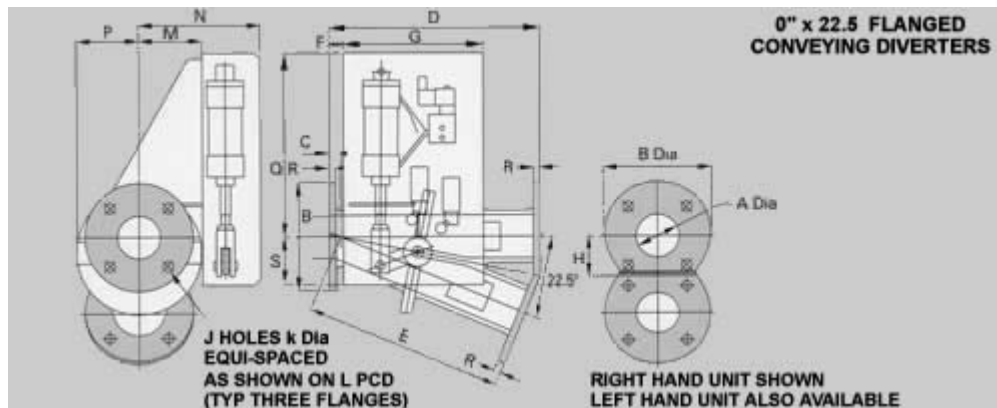
With the special cone transition at the inlet, the sealing area within the cone forms a complete parabola and therefore an efficient internal seal can be maintained without resorting to sealing ledges - increasing the conveying line pressure, the rubber wiper seals more effectively.

Internals are clean, with no lodgement points, and the transition from one line into two is gradual, limiting turbulence and therefore pressure drop. Similarly, by the streamline design, the valve will also feed from two lines into one - again with no lodgement areas.

Choice of materials can cater for the majority of applications and by plating the body and internal components the semi-abrasive fields can be covered.

Special demand has necessitated the manufacture of a range of 30° divert angle valves to compliment the traditional range of 22.5° divert angle valves. They are obviously more compact than the 22.5° range but have a slightly greater pressure drop due to the increased angle.

The connection type of the valve is of the **Flanged** type - Simple and robust, cast on flanged ends drilled to match various international standards



Size	A Dia	B Dia	C	D	E	F	G	H	J	K	L	M	N	P	Q	R	S
25	25	114	4.5	240	235.5	22	189	46	4	14	82	62	142	60	207	10	94
50	50	152	20	310	290	0	250	58	4	18	114	92	194	90	333	10	77
63	63.5	178	20	350	330	5	246	65	4	18	127	102	204	100	329	10	81
75	76	191	20	371	351	25	246	71	4	18	146	112	214	110	325	12	85
100	102	229	30	444	414	53	286	82	4	18	178	142	244	140	391	12	114
125	127	254	30	634	604	102	286	120	8	18	210	162	264	160	381	14	124
150	160	280	35	760	725	120	286	130	8	18	235	182	284	180	379	16	126
200	204	343	35	901	866	159	273	156	8	18	292	222	324	223	412	16	131
250	264	406	35	1059	1024	239	316	196	8	22	356	282	442	280	433	20	177
300	305	483	72	1313	1241	246	366	242	12	22	406	302	462	300	533	25	203

D y n a g r o u p   T e c h n o l o g i e s

4070 boul. Poirier, St-Laurent, Québec, Canada H4R 2A5  
 Tél.: (514) 337-3377 • Fax: (514) 832-0989 • [www.dynagroup-tech.com](http://www.dynagroup-tech.com)